




*DREAM LIGHT Workshop*

# User Manual

A large blue graphic consisting of two overlapping rounded rectangular shapes. The left shape is wider and shorter, while the right shape is narrower and taller. They overlap in the center, creating a white, curved, abstract shape that resembles a stylized 'X' or a light beam.

DLW L1000PRO IP

Guangzhou Dream Lighting Equipment Co., LTD

# Contents

<b>Safety Information</b> .....	3/4
<b>Package &amp; Transportation</b> .....	5
Fixture Package .....	5
Transport protection lock .....	5
Unpacking .....	5
Accessories with fixture .....	5
<b>Product Introduction Specification</b> .....	6
Electrical parameters .....	6
Light Source parameters .....	6
Optics parameters .....	6
Effect configuration .....	6
Fixture Movement .....	6
Electronic Control .....	6
Framing System .....	7
Color System .....	7
Gobo System .....	8
Gobo Specifications.....	8
Fixture size& Weight.....	9
<b>Operation Panel Instruction</b> .....	9
Panel Instructions .....	9
Detailed Operation Table of Display panel .....	10/11
<b>Signal Connection</b> .....	12
<b>Power Connection</b> .....	13
Connection type .....	13
<b>Installation instruction &amp; requiremen</b> .....	14
G- clamp Installation .....	14

Fixture Installation .....	14
Fixture Placement .....	15
<b>DMX Channel Sheet (Brief) .....</b>	<b>16/17</b>
<b>DMX Specific Channel Sheet .....</b>	<b>18/19/20/21</b>
<b>Maintenance &amp; cleaning of the fixture .....</b>	<b>22</b>
<b>Troubleshooting .....</b>	<b>22/23</b>
<b>Attachment 1 Angle range and the measurement figure of the fixture .....</b>	<b>24/25</b>
<b>Attachment 2 Electrical Diagram.....</b>	<b>26</b>

## Safety Information





**Note:** Please check the complete package after received , and please unpack and check if the fixture is damaged during shipping. If the fixture is damaged during shipping, please do not use it and contact the manufacturer/local technicians as soon as possible.

The following identifications are used to identify the product and identify the important safety information in the user manual.

Warning!	Warning! See user documentation.	Warning! Hazardous voltage. Risk of lethal or severe electric shock.	Properly grounded	Warning! Intense light emission.	Warning! High surface temperature Don't touch!	Warning! Must wear gloves!
				$t_a \dots ^\circ\text{C}$		
Warning! Fire hazard.	Do not stare at the operating light source	Do not interfere with the track of the operating fixture	Minimum distance of illuminated objects(m)	Rated maximum ambient temperature!	Don't install the fixture on the surfact of combustible materials!	Replace any cracked protective shields

### Notes:

- The fixture is used professionally only, please don't used it for any other purposes.
- Please refer to the latest user manual before using the fixture. The fixture is out of warranty if problems are caused by any incorrect use or negligence of the user manual.
- The protection level rate is IP66.
- In order to avoid damage the fixture, it is required more than 1 person when moving the fixture. When hanging the fixture, the hanging device must be tested. The hanging device should be able to bear more than 6 times of weight of the fixture.  
Please make sure the housing and G-clamp are fixed and do not have damage after installed. Please use the safety chain to keep the fixture fixed on the truss safely.
- The fixture should be installed in a well-ventilated place. Keep the distance of the fixture and the obstacles more than 0.5 meter, and please check the fans and ventilation hole sare not blocked.

- Please don't install the fixture on the surfaces of the inflammable goods directly.
- Please check the voltage before the professional technicians install the fixture.  
The voltage must be the same with the voltage which marked on the fixture.  
Overloading protection or leakage protection are also required.
- When replacing the fuse of a fixture, please check whether the fuse meets the specified technical requirements. Do not replace or short-circuit it without allowed. Please confirm whether the input voltage meets the specified technical requirements and is correctly grounded before powering on.
- Please cut off the power supply when replacing the fuse. (  )
- Rated maximum ambient temperature when the fixture is working:  $t_a = 40^{\circ}\text{C}$ .
- The safe/shortest distance to the illuminate object: 5m.
- when the fixture working stably, the maximum surface temperature:  $t_c = 100^{\circ}\text{C}$ .
- The shortest safety distance to combustible material: 0.7m.
- Please don't touch the fixture when it is working stably. It's highest surface temperature can reach  $100^{\circ}\text{C}$ .
- The fixture must be positioned in such a way that it is not subjected to prolonged observation from a distance of less than 3.5 meters.
- When using the fixture, please pay attention to severe damage caused by the shock from fire, heat, or the UV violation.
- Please don't stare at the working fixture directly without any eye protection.
- Please replace the protective cover and lens if any visible damage happened or the damage has reached the malfunction level. (  )
- The fixture must be installed, operated, and maintained by professionals strictly according to the user manual.
- All the information of the user manual is for your reference only. All fixtures should be subject to the actual product, which is subject to change without prior notice.

## Package & Transportation

### Fixture package

- Please cut off the power supply and cool it down for over 15minutes before packing the fixture.
- Lock the protection lock for tilt well.
- Please place the fixture in the plastic bag, and then carefully put it into the flight case vertically, the accessories are placed at special area in flight case, then close the lid and lock the flight case. Please don't put it upside down.

### Transport protection lock

- Protective locks for tilt movement are installed in the fixture for safe transportation.

### Unpacking

- Open the packing box, and then open the inner packing bag.
- Grasp the handle of the fixture, take it out from the case carefully.
- Unlock the protective lock before power on the fixture.

Notice: Please check the complete package after received the fixture, please check whether the fixture is damaged or not during shipping after opened the packing. If the fixture is damaged during shipping, please don't use it first, and contact the manufacture/local technicians as soon as possible.

### Accessories with fixture

Accessories	Qty
User Manual	1
Warranty Card	1
Safety Chain	1
Signal Cable	1
Power Cable	1
Fixture Hook	2
Hexagonal stainless steel screws M10x25	4
Stainless steel screws spacer $\varnothing$ 10	4

## Product Introduction Specifications

### Electrical parameters

AC 100 - 240V 50 / 60 Hz

Input Power:1150W rated electrical current:11.5 A, PF≥0.98

### Light Source parameters

- Light source : 1000W LED white source module(high brightness).
- LED module expected lifespan:20000Hrs.

### Optics parameters

- Lens:High-definition lens with anti-reflective film.
- Zoom range: 6°~52°

### Effect configuration

- 2 prisms, one is 4-facet linear and one is 6-facet circle, can be independent and overlapping combined, can be bidirectional rotating, can be auto-focus.
- Two atomized frosts with high-bright output.
- 0-100% linear dimmer, 4 dimming curve options, 4 dimming speed options.
- Electric strobe 1-25Hz, multiple strobe effects.
- Fast electric Iris, 5-100% linear adjustment, multi-effects changing with macro function.

### Fixture movement

- PAN=540°, 16bit.
- TILT=270°, 16 bit.

### Electronic Control

- Channel:32Ch/35Ch/60Ch.
- Control Protocols:DMX512,RDM,Art-Net,sACN,wireless function(optional).
- Control Portals: XLR-3+ XLR-5; RJ45 (optional).
- Menu display: 2.4" LCD screen; choice of Chinese and English language, menu available to be displayed 180° reversely.
- Built-in self-rechargeable battery, menu can be edited without power supply (optional version); Support connecting with power bank to enter the menu and edit address code and other settings.

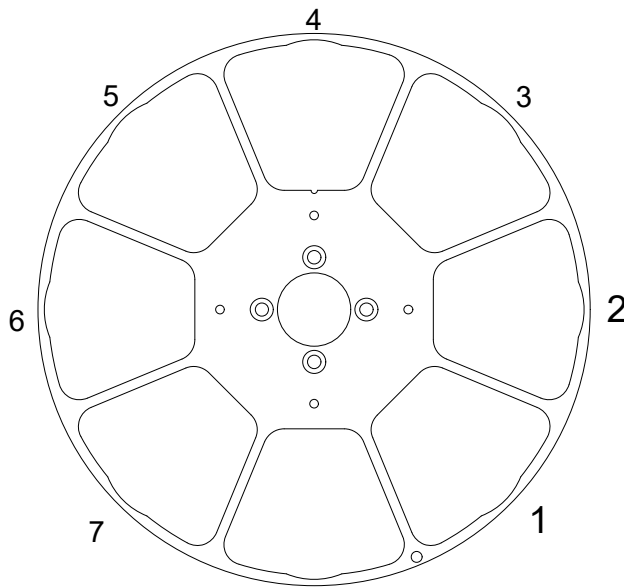
- Electronic sensors testing, fan intelligent detect and controllable.
- Eco mode(sleep mode when standby)
- Non-touching magnetic encoder positionable system for pan/tilt.

### Framing System

- 4 x framing blades with precise positioning and no graphics distortion.
- The framed graph can rotate 360°.

### Color System

- CMY infinite color mixing, high saturated color (RGB) output, pure colors.
- CTO color temperature, 3200K-6200K linear adjustment.
- One static color wheel, 7 color filters plus open, color wheel can rotate in both direction, effects of rainbow, stepping, gradual changing colors. (Pic1).

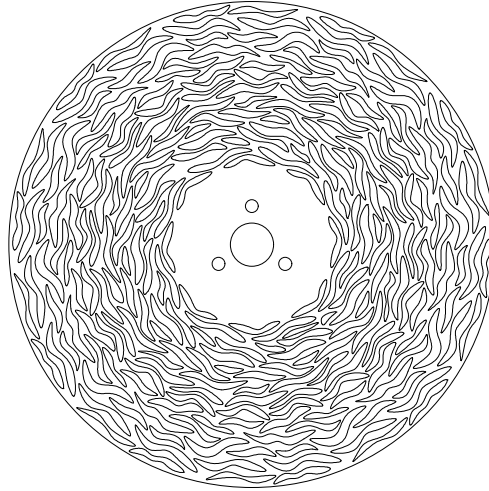


- 1. High CRI
- 2. Pink
- 3. Orange
- 4. Purple
- 5. Deep Blue
- 6. Green
- 7. Deep Red

Pic1

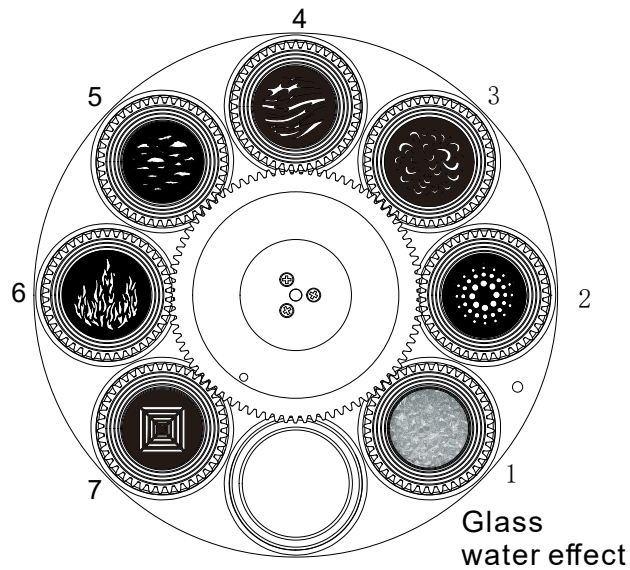
## Gobo System

- 1 Gobo animation wheel, cloud, fire, water flow.



Pic2

- 1 rotating gobo wheel with 7 unique gobos + 1 open circle, can bi-directional rotate with effects of self-rotation, running water and shaking, the gobos can be accurately controlled at 16bit.



Pic3

## Gobo Specifications

- The gobo plates are made from material, it can be customized according to user needs.

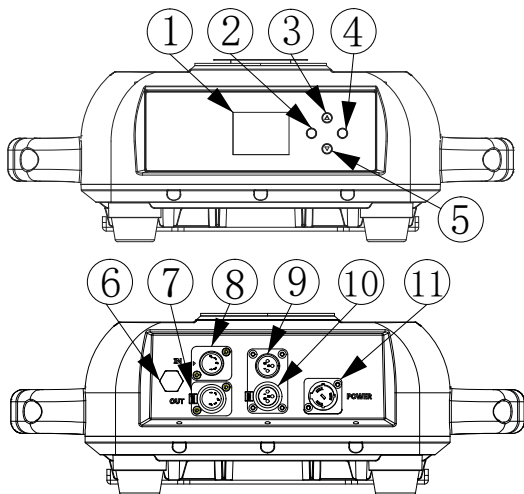
The size for customized gobo plates:

Material	Outer diameter	Effective Diameter	Thickness
Metal Gobo	∅22.8mm	∅ 18mm	0.5mm
Glass Gobo	∅22.5mm	∅ 20mm	3.5mm
Gobo plates adopt high temperature glass(or high temperature metal)			

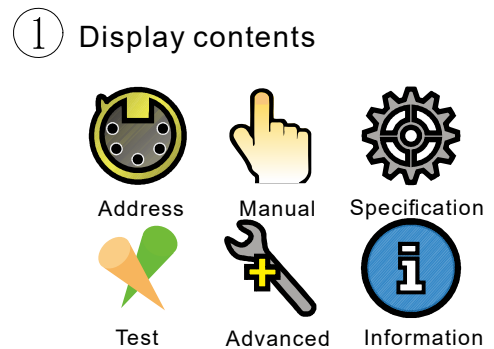
**Fixture Size& Weight:**

- Fixture size:444X360X764mm
- Net weight:48Kg
- IP Grade:IP66
- Flight case: 935X530X630mm (1 positions)
- Flight case net weight:26kg

**Operation Panel Instruction**



Pic5



Pic6




As shown in pic 5:




- |                |              |                    |                     |
|----------------|--------------|--------------------|---------------------|
| 1.LCD display  | 4.Enter      | 7.5-XLR DMX output | 10.3-XLR DMX output |
| 2.Menu(Return) | 5.Down       | 8. 5-XLR DMX input | 11.Power            |
| 3.Up           | 6. Air valve | 9.3-XLR DMX input  |                     |

**Panel Instructions**

- Up Direction key:Select Sub-menu cyclically(upward).Circulate downward to adjust data value.
- Down Direction key: Select Sub-menu cyclically (downward). Circulate downward to adjust data value.
- Left Direction key(Back):Back to menu.
- Right Direction key(Confirm):Confirm the selected data value reselect cyclical data window.

Detailed Operation Table of Display panel

<b>Specification</b> 	1.Pan Inverse	Off, On	
	2.Tilt Inverse	Off, On	
	3.PT Encoder	Off, On	
	4.PT Speed	FAST,NORMAL,SLOW	
	5.Dim Curve	Curve_CV1,Line_CV2,S_CV3,SquareCV4	
	6.LED PWM	1.2KHz, 6KHz,12KHz,24KHz,25KHz	
	7.Dim Speed	Speed1,Speed2,Speed3,Speed4	
	8.FAN mode	Theater,Quiet,AUTO,HIGH	
	9.Display blackout	Off, On	
	10. display i nverse	Off, On	
	11. Language	English,Chinese	
	12.Sleep Mode	Off, On	
	13.Fixture	.....	
	EXIT		
<b>Manual</b> 	1.Channel	1.Pan	000~255
		2.Tilt	000~255
		3.Strobe	000~255
		4.Dimmer	000~255
		5.Focus	000~255
		6.Zoom	000~255
		7.Cyan	000~255
		8.Magenta	000~255
		9.Yellow	000~255
		10. CTO	000~255
		11. Color wheel	000~255
		12. Gobo wheel	000~255
		13. R-Gobo	000~255
		14.Iris	000~255
		15.Animation	000~255
		16.Animation rotation	000~255
		17.Prism1	000~255
		18. R-Prism1	000~255
		19. FRAME 1A	000~255
		20. FRAME 1B	000~255
		21. FRAME 2A	000~255
		22. FRAME 2B	000~255
		23. FRAME 3A	000~255
		24. FRAME 3B	000~255
		25. FRAME 4A	000~255
		26. FRAME 4B	000~255
		27. FRAME ROT	000~255
		28. Frost	000~255
		29. CONTROL	000~255
		EXIT	
2.Fixture Reset	NO,YES		
EXIT			
<b>Address</b> 	1.DMX512 Address	001~512	
		EXIT	
	2.Channel Mode	Basic	
		Standard	
		Extend	
	EXIT		
3.No DMX Mode	Dmx hold		

		Black out	
		EXIT	
	EXIT		
<b>Information</b> 	1.Fixture Hour	Fixture Hour	XXXXXX
		LED Hour	XXXXXX
		EXIT	
	2.Version	PANEL Ver :	XXXX
		XY Ver:	XXXX
		DRV1 Ver:	XXXX
		DRV2 Ver:	XXXX
		DRV3 Ver:	XXXX
		DRV4 Ver:	XXXX
		EXIT	
	3.Temperature	PANEL Temperature :	XXX-XXX
		XY Temperature:	XXX-XXX
		DRV1 Temperature :	XXX-XXX
		DRV2 Temperature :	XXX-XXX
		DRV3 Temperature :	XXX-XXX
		DRV4 Temperature :	XXX-XXX
		EXIT	
	4.Fan Speed	PANEL Fan :	XXXX-XXXX
		XY Fan:	XXXX-XXXX
		DRV1 Fan:	XXXX-XXXX
		DRV2 Fan:	XXXX-XXXX
		DRV3 Fan:	XXXX-XXXX
		DRV4 Fan:	XXXX-XXXX
	EXIT		
5.RDM ID	XXXXXXXX		
	EXIT		
6.System Error	NONE		
	EXIT		
	EXIT		
<b>Advanced</b> 	1.Factory Reset	NO	
		YES	
		EXIT	
	2.Fixture Time Reset	NO	
		YES	
		EXIT	
	3.LED Time Reset	NO	
		YES	
		EXIT	
	4.Calibration	.....	
	EXIT		
	EXIT		
<b>Test</b> 	1.Auto test		
		NO	
		YES	
		EXIT	
	EXIT		

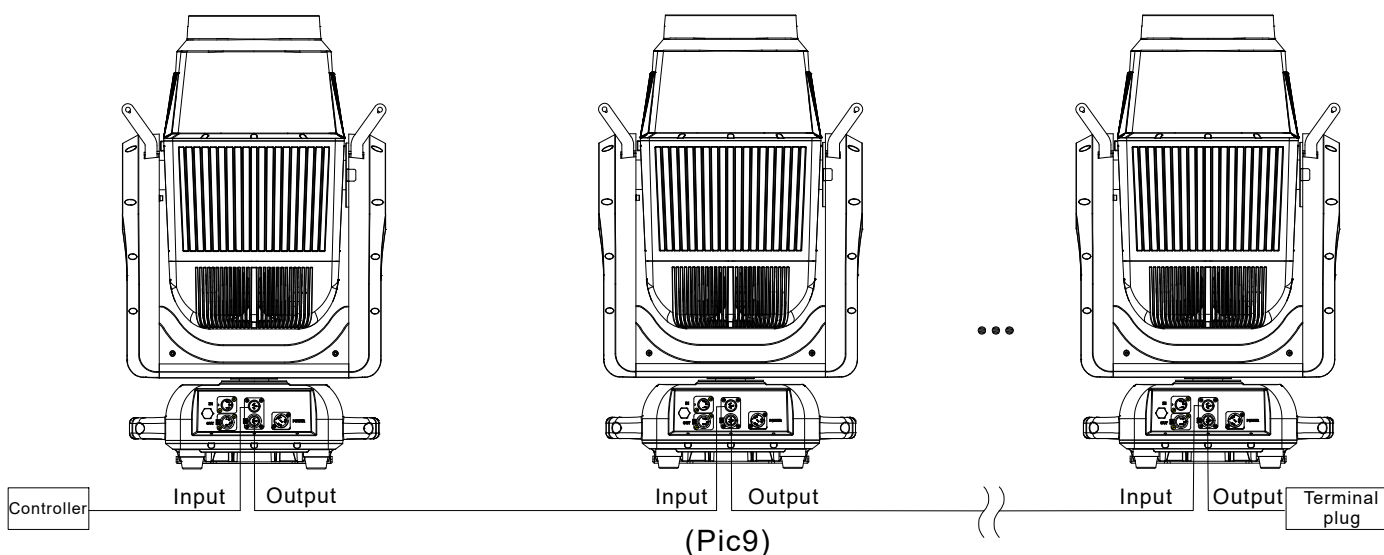
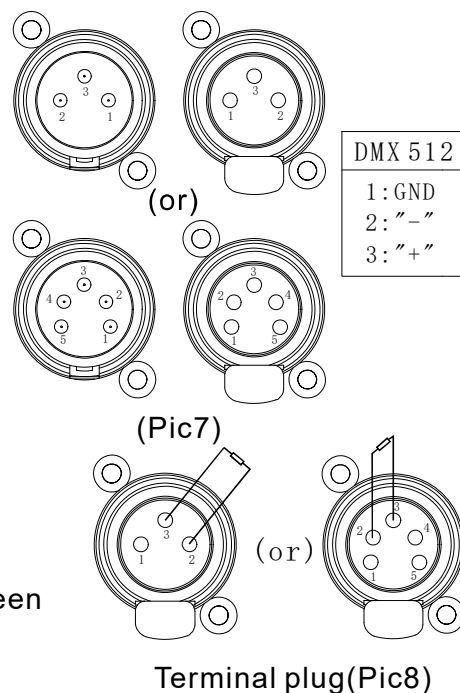
## Signal connection

The fixture adopts 3pin/5pin socket to control DMX input and output, Pin1 is connected to grounded, Pin2 is connected to"-", Pin3 is connected to"+"(Pic7).

Please adopt professional DMX512 STP signal cable, usually its effective range is within 150m. When long distance signal transmission is required, please add DMX 512 signal amplifier.

To avoid the signal reflection during the transmission, please add a terminal which is 120Ω 1/4W resistance between DMX output pin2 and pin 3 of the last fixture. Plug the pin to the DMX output connector of the last fixture. (Pic8)

Connect the fixture from the DMX output of controller to DMX input of the first fixture, and then connect the first fixture's DMX output to the second fixture's DMX input and so on, until all fixtures are being connected. Then please install a terminal plug in DMX output of the last fixture. (Pic 8) The method of connection as show bellow. (Pic 9)



- Notice:
- Don't use multi- output connecter for connecting separately, It must connect the branch with DMX512 signal amplifier to separate them if it is required.
  - Standard amplifier cable is not reliable for long-distance data transmission; Please adopt professional DMX 512 STP signal cable.
  - The signal of the fixture only has one input and one output. Two input/output for each fixture are not available.

## Power connection

Input voltage and frequency must be identical to the voltage and frequency marked on the fixture. When many fixtures are working at the same time, it is strongly recommended to control each fixture on/off individually.

### Connection type

	Live or L	Neutral or N	Earth, Ground or ⊕
US system	Black	White	Green
EU system	Brown	Blue	Yellow/green

#### Notice:

- When connect power supply, please make sure the E line (yellow & green.) is properly connected. And it is corresponded with the relative electrical installation standards.
- Insulation class between LV power supply and controlling conductor: I
- Please confirm the voltage of the power supply is corresponded to the voltage on the fixture's identifications before professionals install it. Please also make sure it has overload or leakage protection.
- If the external cable is damaged, don't change it by yourself, please contact the manufacture/local as soon as possible.

## Installation instruction& Requirement

The user need to arrange regular safety inspection for the fixtures and parts that are connected to the fixture. Please have professionals to operate if operating conditions and professional instructions are insufficient. Incorrect installation by non-professionals may leading to property loss or life danger.

Make sure there is no damage to rigging and clamps and they can bear at least 6 times weight of the fixture. Check if the truss or pipe construction can bear at least 6 times total weight of all equipment, like clamps, cables and other accessories.

### G-clamp Installation

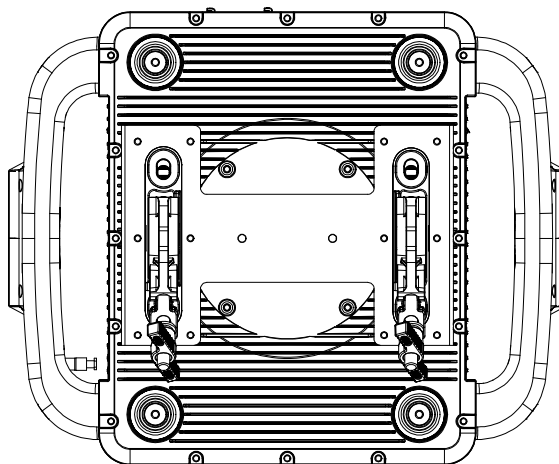
Install the G-clamp onto the base of the fixture, plug the G-clamp into the installation hole of the fixture's base. Rotate the quick lock plate into the slot tightly. Use the same installation method for the second G-clamp. (Pic10)

### Fixture Installation

Fixture is installed on the stage or truss, and the G-clamp can be locked on the truss tightly and quickly. (Pic 11)

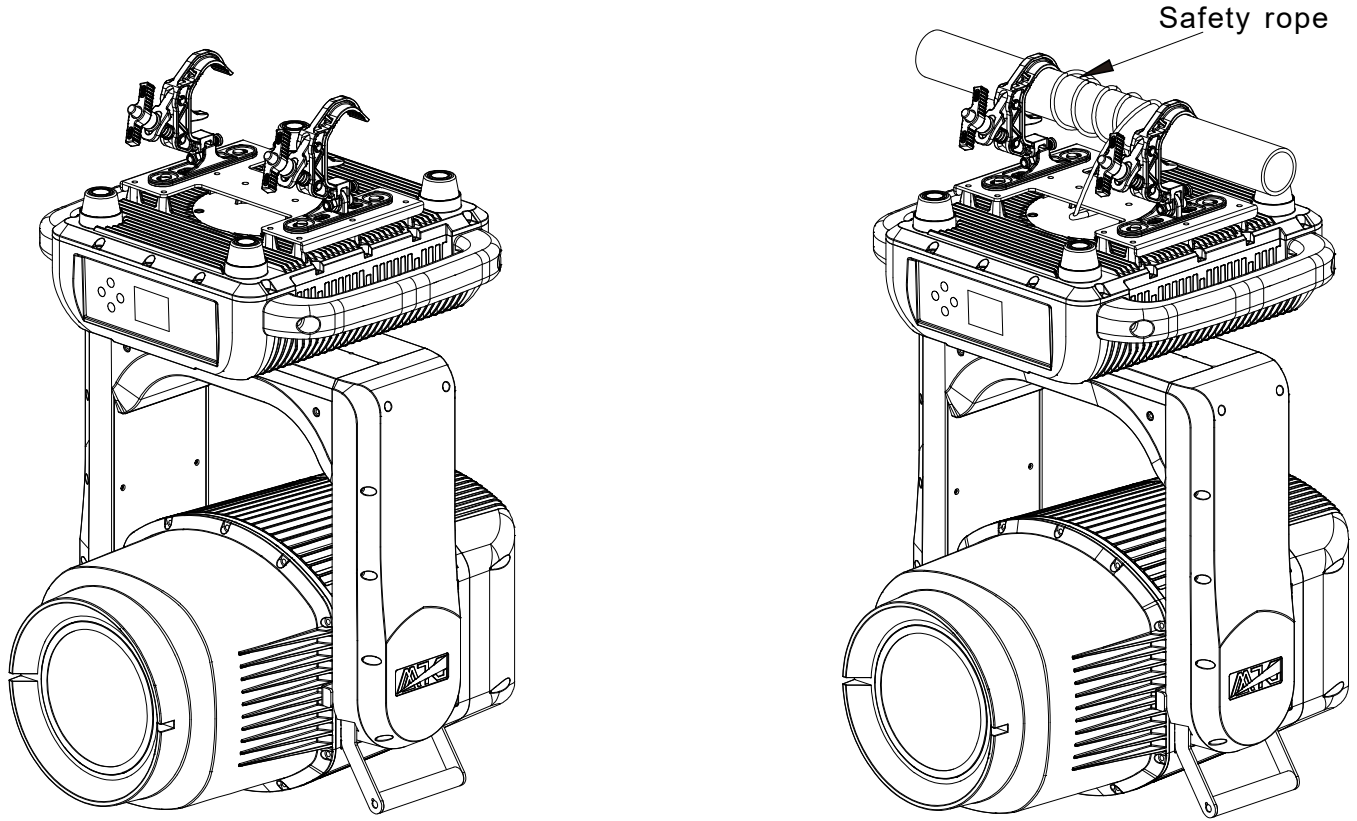
Notice:

- User must check if the G-clamp and safety chain are damaged or not.
- When hanging a fixture, the safety rope must pass through the handle.
- Please unlock the lock of tilt before power on.
- Side hanging for long time is not recommended.



Pan position

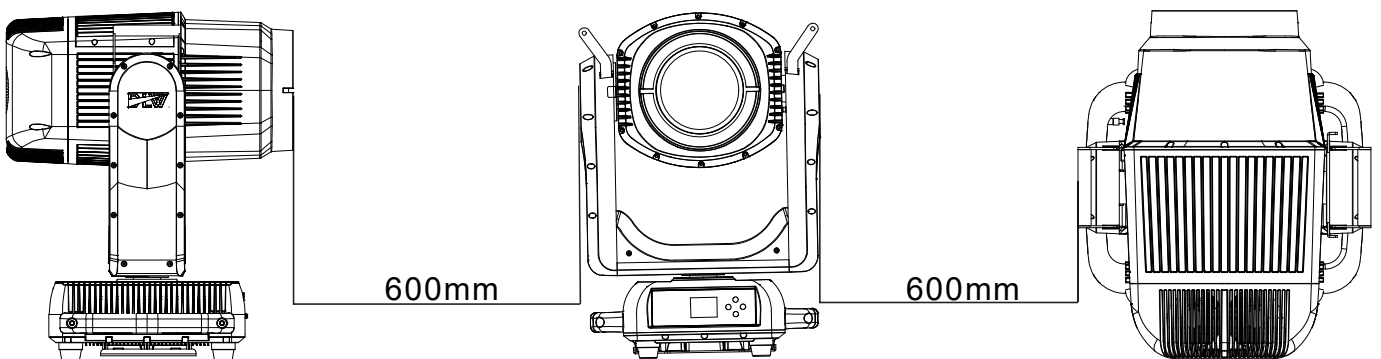
Pic10



Pic11

**Fixture Placement**

When place the fixture, please check there is no inflammable object or inflammable material around the fixture. Then place the fixture vertically upward. The shortest safety distance for adjacent fixtures is  $\geq 0.6$  m when they are working. Fixtures installation show as follow (pic 12).



Pic12

### DMX Channel Sheet (Brief)

Channel	32CH	35CH	60CH
1	Pan	Strobe	Pan
2	Pan Fine	Dimmer	Pan Fine
3	Tilt	Dimmer Fine	Tilt
4	Tilt Fine	Cyan	Tilt Fine
5	Strobe	Magenta	Strobe
6	Dimmer	Yellow	Dimmer
7	Dimmer Fine	CTO	Dimmer Fine
8	Focus	Color Wheel	Focus
9	Zoom	Gobo1	Focus Fine
10	Cyan	Gobo 1 Rotation	Zoom
11	Magenta	Gobo1 Rotation Fine	Zoom Fine
12	Yellow	Animation	Cyan
13	CTO	Animation Rotation	Cyan Fine
14	Color Wheel	Framing Blade 1A	Magenta
15	Gobo1	Framing Blade 1B	Magenta Fine
16	Gobo1 Rotation	Framing Blade 2A	Yellow
17	Iris	Framing Blade 2B	Yellow Fine
18	Animation	Framing Blade 3A	CTO
19	Animation Rotation	Framing Blade 3B	CTO Fine
20	Framing Blade 1A	Framing Blade 4A	Color Wheel
21	Framing Blade 1B	Framing Blade 4B	Color Wheel Fine
22	Framing Blade 2A	Framing Blade Roation	Gobo1
23	Framing Blade 2B	Frost	Gobo1 Rotation
24	Framing Blade 3A	Prism	Gobo1 Rotation Fine
25	Framing Blade 3B	Prism Rotation	Iris
26	Framing Blade 4A	Iris	Iris Fine
27	Framing Blade 4B	Zoom	Animation
28	Framing Blade Roation	Zoom Fine	Animation Fine
29	Prism	Focus	Animation Rotation
30	Prism Rotation	Focus Fine	Animation Rotation Fine
31	Frost	Pan	Framing Blade 1A
32	Fixture control	Pan Fine	Framing Blade 1A Fine
33		Tilt	Framing Blade 1B
34		Tilt Fine	Framing Blade 1B Fine
35		Fixture control	Framing Blade 2A
36			Framing Blade 2A Fine
37			Framing Blade 2B
38			Framing Blade 2B Fine

39			Framing Blade 3A
40			Framing Blade 3A Fine
41			Framing Blade 3B
42			Framing Blade 3B Fine
43			Framing Blade 4A
44			Framing Blade 4A Fine
45			Framing Blade 4B
46			Framing Blade 4B Fine
47			Framing Blade Roation
48			Framing Blade Roation Fine
49			Prism 2
50			Prism Rotation
51			Frost
52			Fixture control
53			Pan/Tilt speed
54			Color speed
55			Focus/zoom speed
56			Gobo speed
57			Reserved
58			Reserved
59			Reserved
60			Reserved

### DMX Specific Channel Sheet

32CH	35CH	60CH	Specifications	DMX Value	Function
1	31	1	Pan	0-255	0°->540°
2	32	2	Pan Fine		
3	33	3	Tilt	0-255	0°->270°
4	34	4	Tilt Fine		
5	1	5	Strobe	0-19	Closed
				20-49	Open
				50-200	Strobe from slow to fast
				201-210	Open
				211-255	Random strobe from slow to fast
6	2	6	Dimmer	0-255	Closed-open(0%-100%)
7	3	7	Dimmer Fine		
8	29	8	Focus	0-255	From far to near
-	30	9	Focus Fine		
9	27	10	Zoom	0-255	From large to small
-	28	11	Zoom Fine		
10	4	12	Cyan	0-255	Cyan 0-100%
-	-	13	Cyan Fine		
11	5	14	Magenta	0-255	Magenta 0-100%
-	-	15	Magenta Fine		
12	6	16	Yellow	0-255	Yellow 0-100%
-	-	17	Yellow Fine		
13	7	18	CTO	0-255	CTO 0-100%
-	-	19	CTO Fine		
14	8	20	Color Wheel		
				0-119	Color Linear Movement
				120-120	Open
					Full color mode
				121-125	Color 1
				126-130	Color 2
				131-135	Color 3
				136-140	Color 4
				141-145	Color 5
				146-150	Color 6
151-155	Color 7				
156-160	Open				


					Color water flow effect
				161-200	Clockwise rotation from fast to slow
				201-203	Stop
				204-243	Anti-clockwise rotation from slow to fast
					Color Water flow effect
				244-247	Fast
				248-251	Medium
				252-255	Slow
-	-	21	Color Wheel Fine		
15	9	22	Gobo1		Positioning mode
				0-10	Open
				11-17	Gobo 1
				18-24	Gobo 2
				25-31	Gobo 3
				32-38	Gobo 4
				39-45	Gobo 5
				46-52	Gobo 6
				53-59	Gobo 7
				60-66	Open
				67-73	Gobo1 shake from slow to fast
				74-80	Gobo2 shake from slow to fast
				81-87	Gobo3 shake from slow to fast
				88-94	Gobo4 shake from slow to fast
				95-101	Gobo5 shake from slow to fast
				102-108	Gobo6 shake from slow to fast
				109-115	Gobo7 shake from slow to fast
				116-127	Open
					Rotation mode
				128-189	Anti-clockwise rotation from fast to slow
190-255	Clockwise rotation from slow to fast				
16	10	23	Gobo1 Rotation		Positioning mode
				0-127	Indexing(0-360Degree)
					Rotation mode
				128-189	Anti-clockwise rotation from fast to slow
				190-193	Stop
				194-255	Clockwise rotation from slow to fast

-	11	24	Gobo1 Rotate Fine	0-255	
17	26	25	Iris	0-255	Iris large to small
-	-	26	Iris Fine		
18	12	27	Animation	0-255	Animation insert
-	-	28	Animation Fine		
19	13	29	Animation Rotation		Positioning mode
				0-124	Anti-clockwise rotation from fast to slow
				125-130	Stop
				131-255	Clockwise rotation from slow to fast
-	-	30	Animation Rotation Fine		
20	14	31	Framing Blade 1A	0-255	Framing blade rotation from outside->inside
-	-	32	Framing Blade 1A Fine		
21	15	33	Framing Blade 1B	0-255	Framing blade rotation from outside->inside
-	-	34	Framing Blade 1B Fine		
22	16	35	Framing Blade 2A	0-255	Framing blade rotation from outside->inside
-	-	36	Framing Blade 2A Fine		
23	17	37	Framing Blade 2B	0-255	Framing blade rotation from outside->inside
-	-	38	Framing Blade 2B Fine		
24	18	39	Framing Blade 3A	0-255	Framing blade rotation from outside->inside
-	-	40	Framing Blade 3A Fine		
25	19	41	Framing Blade 3B	0-255	Framing blade rotation from outside->inside
-	-	42	Framing Blade 3B Fine		
26	20	43	Framing Blade 4A	0-255	Framing blade rotation from outside->inside
-	-	44	Framing Blade 4A Fine		
27	21	45	Framing Blade 4B	0-255	Framing blade rotation from outside->inside
-	-	46	Framing Blade 4B Fine		
28	22	47	Framing Blade Rotation	0-160	Framing rotation from 0->360°
				161-202	Framing Anti-clockwise rotation from fast to slow
				203-243	Framing clockwise rotation slow to fast
				244-255	Null
-	-	48	Framing Blade Rotation Fine		
29	24	49	Prism	0-31	Open
				31-95	Prism1
				96-191	Prism2
				192-255	Prism1&2
					Positioning mode

30	25	50	Prism Rotation	0-127	0~360°
					Rotation mode
				128-189	Clockwise rotation fast back from fast to slow
				190-193	Stop rotation
				194-255	Anti-clockwise rotation fast back from slow to fast
31	23	51	Frost	0-31	Open
				31-95	Frost1
				96-191	Frost2
				192-255	Frost1&2
32	35	52	Fixture control	0-9	Null
				10-14	Fixture reset
				15-29	Specification reset
				30-34	Pan-tilt reset
				35-49	Reserved
				50-54	1.2KHz
				55-59	6 KHz
				60-64	12KHz
				65-69	24KHz
				70-255	Reserved
-	-	53	Pan/Tilt speed	0-255	Stepping time from fast to slow
-	-	54	Color speed	0-255	Stepping time from fast to slow
-	-	55	Focus/zoom speed	0-255	Stepping time from fast to slow
-	-	56	Gobo speed	0-255	Stepping time from fast to slow
		57	Reserved		
		58	Reserved		
		59	Reserved		
		60	Reserved		

## Maintenance & cleaning of the fixture

The fixture needs to be maintained and cleaned daily, because its lifespan depends on working environment and daily maintenance. Please contact our company engineer for any questions and feedback which are out of this user manual to our professional engineer.

Notes as bellow: 

- The power supply must be cut off before open the shell.
- Please open the shell after the fixture cooled completely
- Cleaning the optics components gently to avoid scratching the surface coating, To avoid damaging plastic and scratching the surface coating, Please don't use any harmful liquid or hard objects.
- Wiping the particulate Matter with tasteless tissue-paper or cotton cloth with clean, distilled water. Don't wipe the surface, but blow away floating things with pressure gas, any residues must be cleaned with distilled water from center to edge, and then dry it with soft cotton cloth.
- Please change the lens in time when it cracks or has other damages
- It is out of warranty any damage caused by fan with overmuch dust, smoke fluidity and abnormal using fixture.
- There is temperature protection device of the fixture, when the temperature is too high the LED module will be off automatically. When this happens, please check if the fan is working well or not. Plus, checking if the fan filter is blocked by dust. Please only reset the fixture after the qualified professional technicians finish troubleshooting.
- Weekly cleaning and maintenance for the fan filters and lens is recommended. Please do a complete maintenance half a year.

## Troubleshooting

The following are some problems in process of operation, and there are some suggestions for troubleshooting:

Fixture doesn't response, when power on

- Check if power input is normal.
- Check if power switch is on.
- Check if fuse is burned.

**Console losing control:**

- Check if the display is flicker, if yes, check if DMX signal connector and signal cable are connected well.
- If the display is not flickering, but the fixture is still have no response to the control channel instructions, please check if IP address is correctly set.
- If DMX signal is not stable, please check XLR socket and signal cable are connected well.
- Change another console for testing.

**channel failure:**

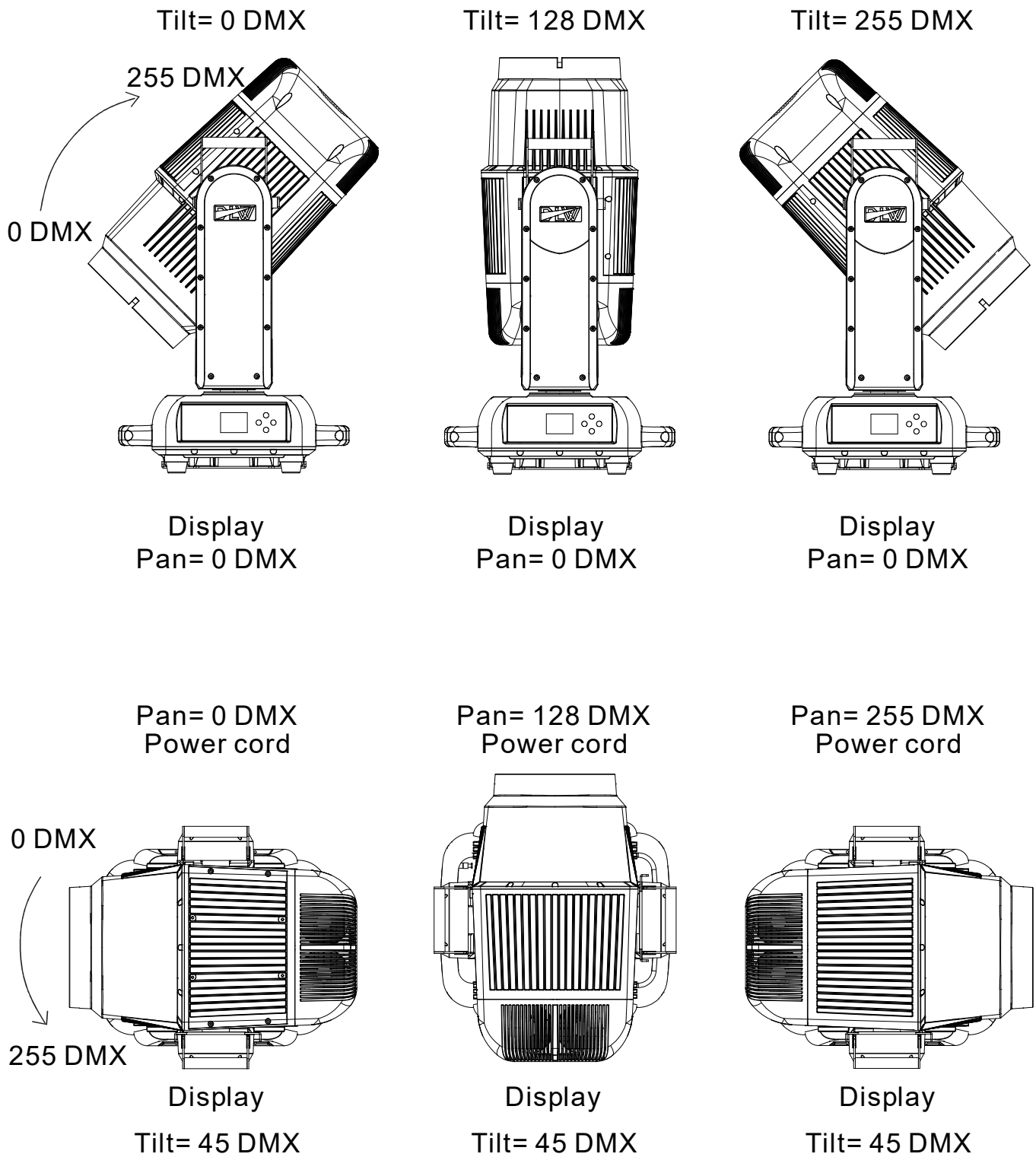
- Step motor or motor leading wire Maybe damaged.
- Drive circuit of motor may be damaged.

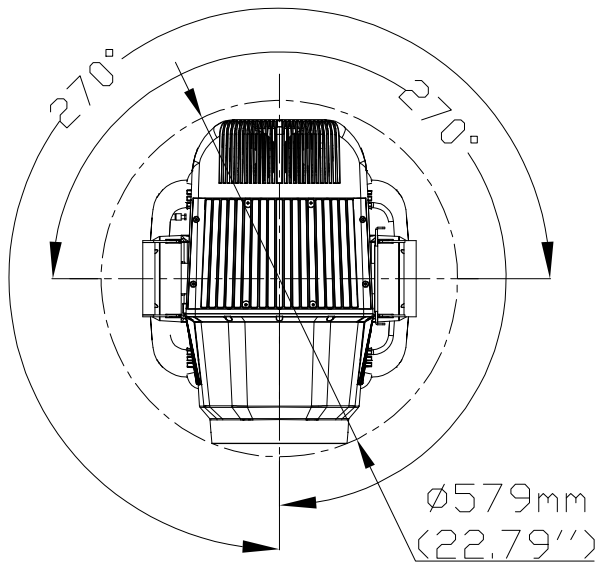
**Lamp blinking:**

- Check if the voltage is too high or too low, when the lamp is abnormal lighting.
- It is necessary to change the fan if the inner temperature is too high.

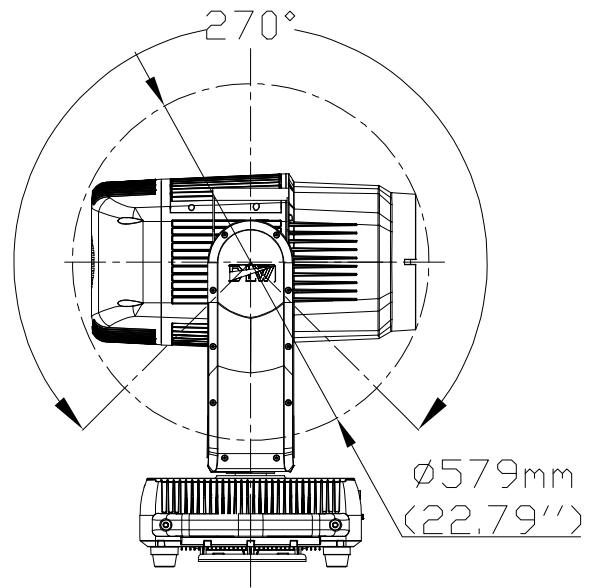
Attachment 1 Angle range and the measurement figure of the fixture

● Angle range of the fixture



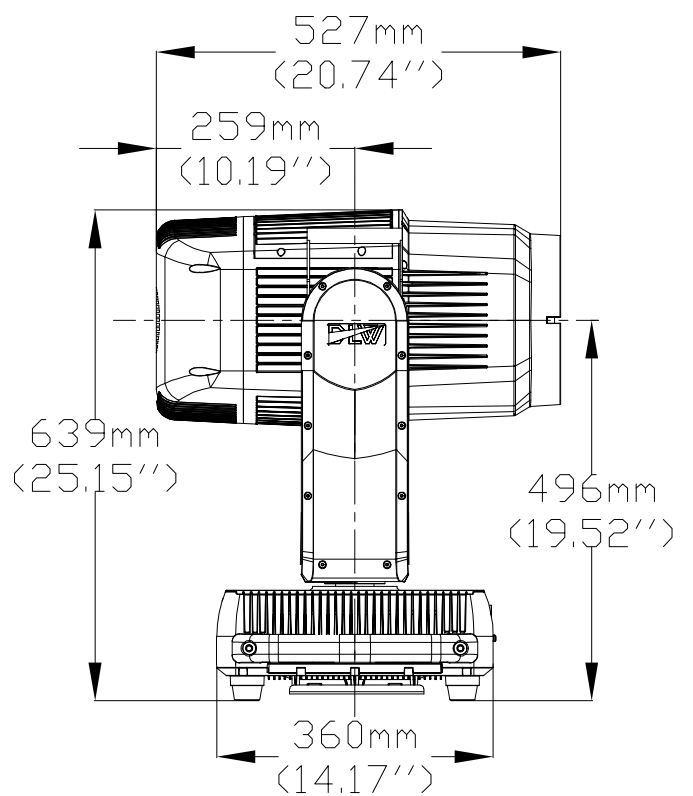
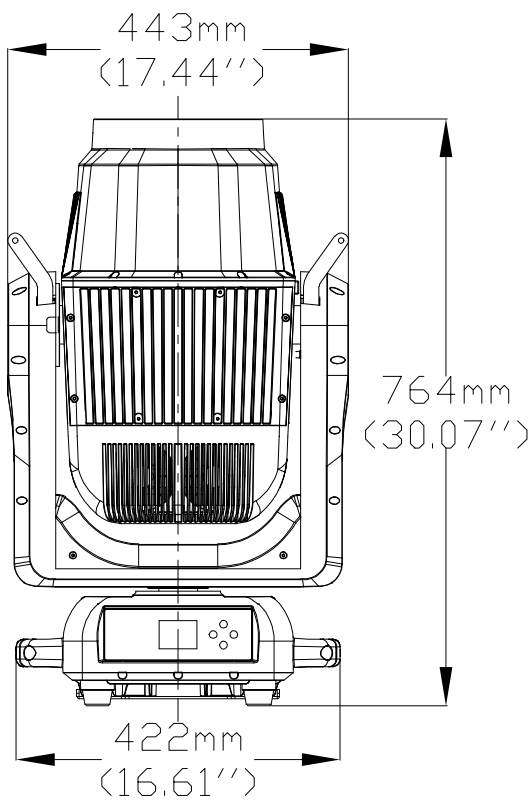


Horizontal direction

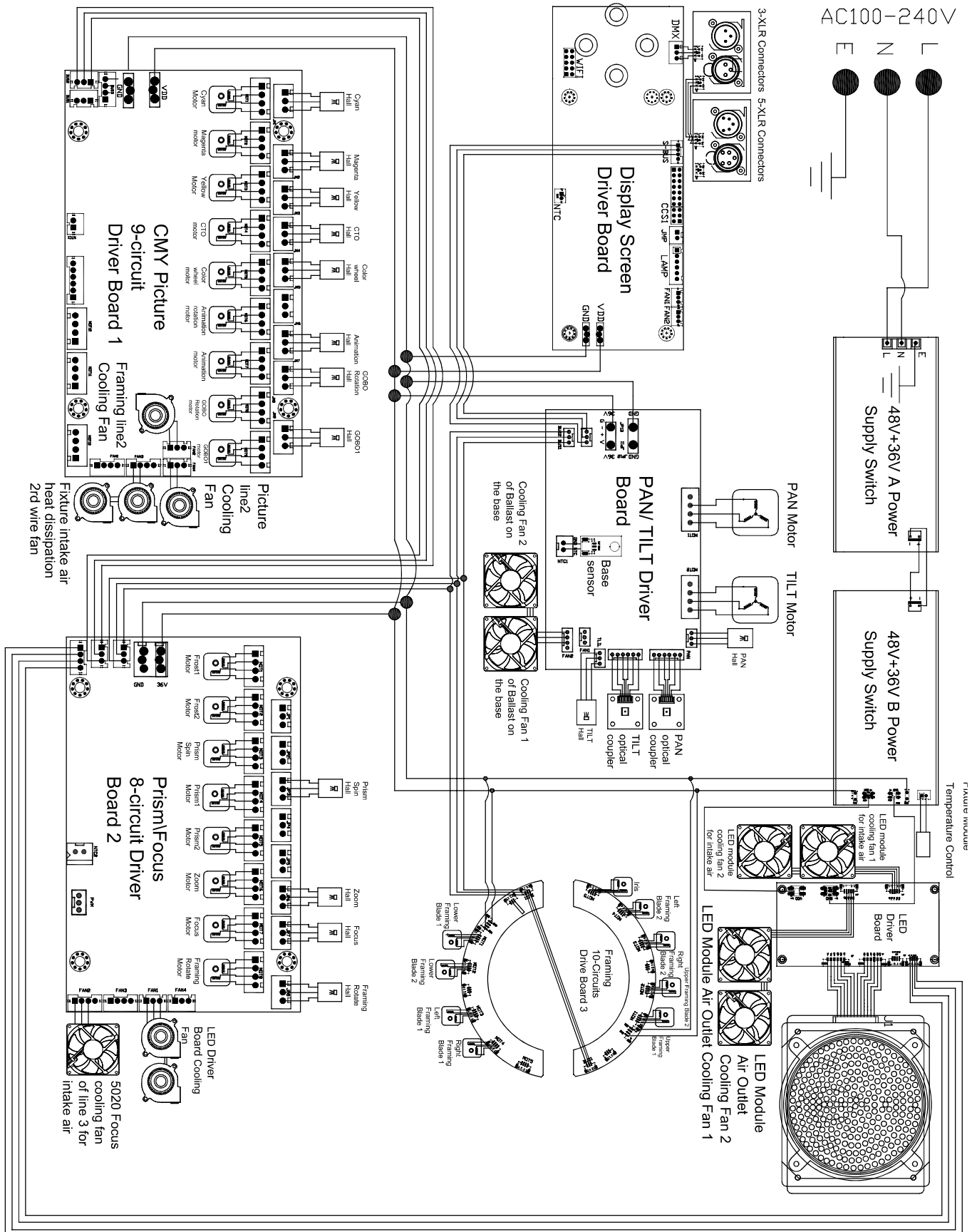


Vertical direction

● The measurement figure of the fixture



# Attachment 2:Electrical Diagram





***DREAMLIGHT***



Guangzhou Dream Lighting Equipment Co., LTD

Add.No.21,Ruixiang Road, Xinhua Industrial Zone,  
Huadu District, Guangzhou

Tel.020 8161 2345 Fax. 020 3686 6631

[www.dlw-lighting.com](http://www.dlw-lighting.com)